

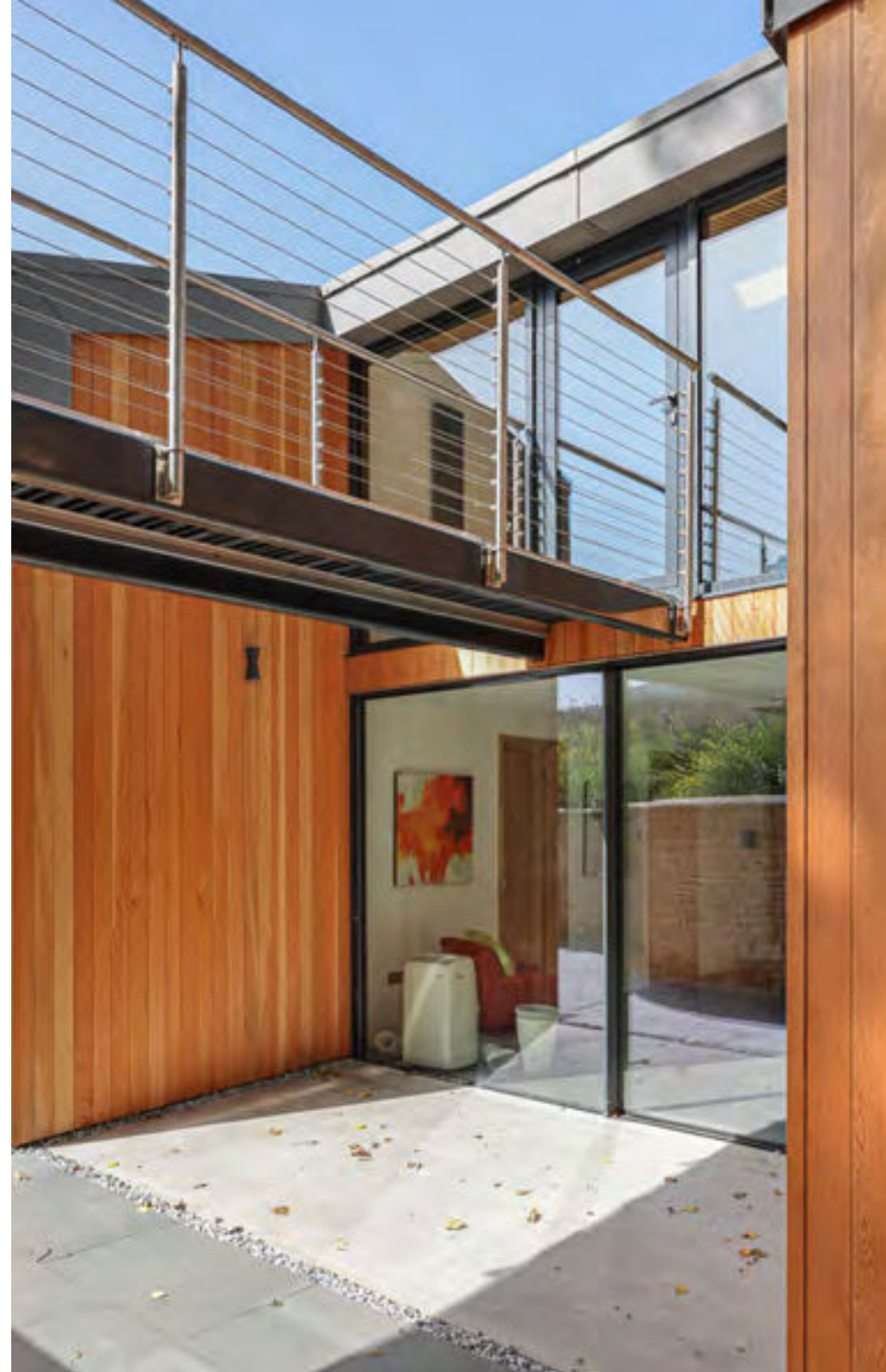


**TOTAL**  
Aluminium Solutions



**THE CORTIZO RANGE**





- Sliding Doors
- Bi-Fold Doors
- Windows
- Front Doors



**Windows**



**Sliding Doors**



**Bi-Fold Doors**



All CORTIZO's building systems are tested under laboratory conditions at their Technology Centre to guarantee the best performance of water tightness, air permeability and wind resistance, guaranteed by obtaining the maximum results in their test classifications.

CORTIZO have some of the most beautiful and flexible systems available today.

Choose from contemporary windows, super size minimalist sliding doors or open up entire spaces with bi-fold doors.

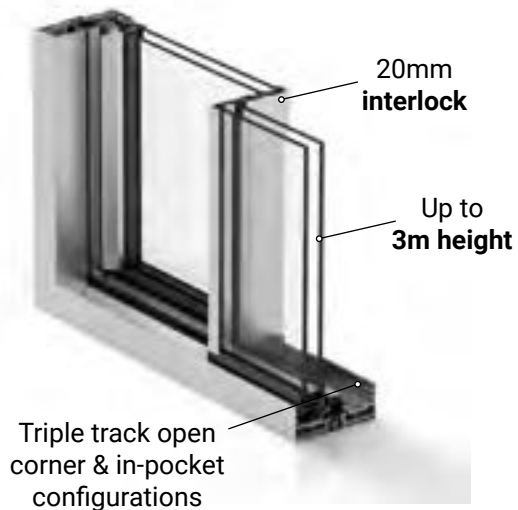


Visit [www.total-as.com](http://www.total-as.com) for more information



- >20 **A ++**
  - >10 to 20 **A +**
  - 0 to < 10 **A ←**
  - 10 to < 0 **B**
  - 20 to < -10 **C**
  - 30 to < -20 **D**
  - 50 to < -30 **E**
- Double glazing

• Sliding Doors



**Sight-lines**  
 Frame depth 116mm / 182mm 3 rails  
 Sash depth 37mm  
 Interlock 20mm

**Polyamide Strip Length**  
 16 / 24 mm

**Profile Thickness**  
 Door 1.7mm

**Glazing**  
 Max 30mm, Min 26mm

**Maximum Sash Dimensions**  
 Width (L) 2500mm, Height (H) 3000mm

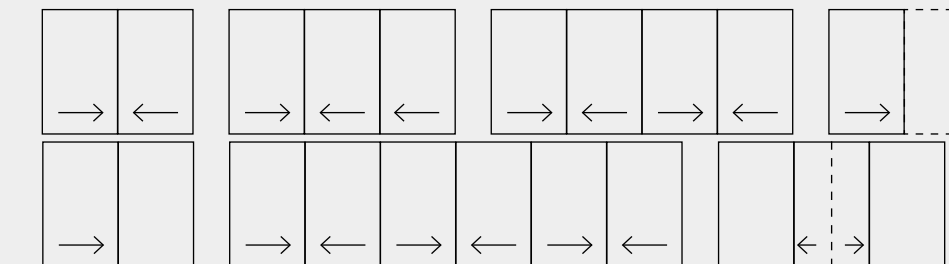
**Maximum Sash Weight**  
 320 kg  
 Consult maximum weight and dimensions according to typologies



FEATURES		
U value		Uw>1.1 (W/m²K)
Acoustic insulation		Rw up to 41dB
Air permeability		Class 4
Water tightness		Class 9A
Wind resistance		Class A
Security test	<b>PAS24</b> <input checked="" type="checkbox"/>	Passed
Reference test 1.23 x 1.55m / 1 sash + 1 fixed light		



OPENING CONFIGURATIONS



Sliding  
 Possibility of interior and exterior corner sash at 90o without mullion  
 Pocket possibility  
 Accessibility possibility

Thermally broken minimalist sliding system that provides maximum luminosity with a minimal aluminium interlock profile. It has an elegant design only 20 mm sight-line and offers the option of an inlaid closing system and of hiding the frame along the perimeter.

Options of locking system in the interlock thus allowing the concealment of the sashes in the frame from a frontal view.

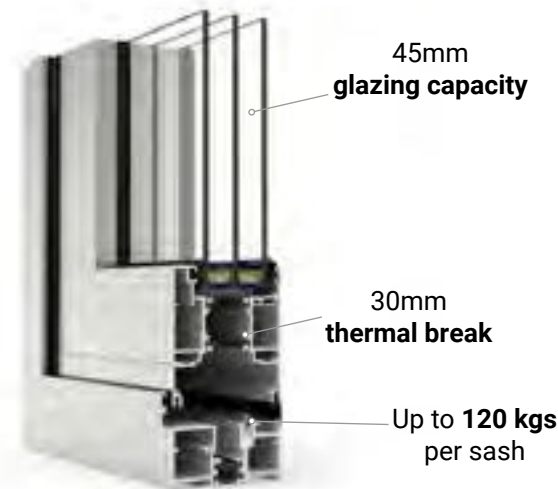
Option of embedded locking system which facilitates the sashes crossing.

Visit [www.total-as.com](http://www.total-as.com) for more information

- Triple glazing
- >20 **A ++**
  - >10 to 20 **A +**
  - 0 to < 10 **A**
  - 10 to < 0 **B** ←
  - 20 to < -10 **C**
  - 30 to < -20 **D**
  - 50 to < -30 **E**

- Double glazing
- >20 **A ++**
  - >10 to 20 **A +**
  - 0 to < 10 **A**
  - 10 to < 0 **B**
  - 20 to < -10 **C** ←
  - 30 to < -20 **D**
  - 50 to < -30 **E**

• **Bi-Fold Doors**



**Sight-lines**  
Jamb 100mm, Meeting Stile 120mm

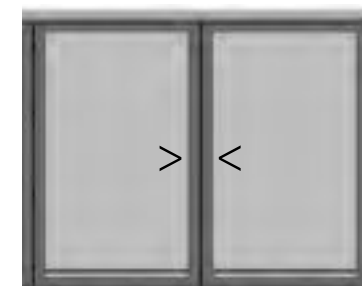
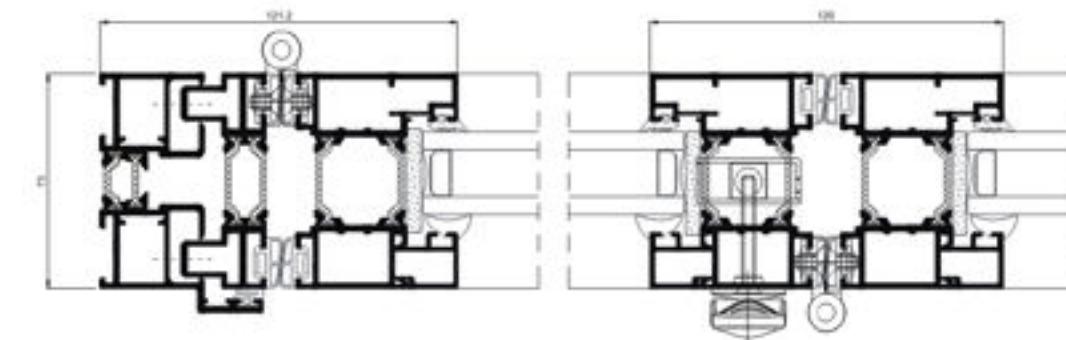
**Polyamide Strip Length**  
Frame 20mm  
Sash 30mm

**Profile Thickness**  
Door 1.8mm

**Glazing**  
Max. 45mm, Min 25mm

**Maximum Sash Dimensions**  
Width (L) 1200mm, Height (H) 3000mm

**Maximum Sash Weight**  
120 kg  
Consult maximum weight and dimensions according to typologies



Bi-fold door system with 73mm of frame depth and optimal thermal and acoustic performances, ideal for moderate climates.

- Maximum sizes 1200mm (w) x 3000mm (h)
- Open corner solutions
- Up to 14 sashes
- Adjustable jamb available
- High security

**FEATURES**

U value Uw>1.3 (W/m²K)

Air permeability Class 4

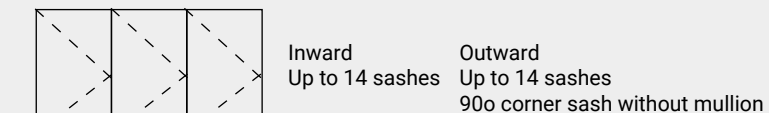
Water tightness Class 7A

Wind resistance Class C5

Security test **PAS24**  Passed

\*Double Glazing UG= 1.0  
Wind Resistance: reference test 2.700 x 7.530m / 3 sashes  
Security test: configuration 330.2701 x 2517 mm / 3 sashes

**OPENING CONFIGURATIONS**



**POSSIBILITIES**

- SECURITY HARDWARE
- CONCEALED HINGES

Visit [www.total-as.com](http://www.total-as.com) for more information





**Sight-lines**  
Frame depth 70mm, Sash 70mm

**Polyamide Strip Length**  
32mm

**Profile Thickness**  
Window 1.6mm

**Glazing**  
Max 44mm, Min 23mm

**Maximum Sash Dimensions**

**Slim Sash (Side Hung):**  
Width (L) 950mm, Height (H) 1300mm

**Slim Sash (Top Hung):**  
Width (L) 1200mm, Height (H) 1300mm

**Heavy Duty Sash (Side Hung):**  
Width (L) 750mm, Height (H) 1750mm

**Heavy Duty Sash (Top Hung):**  
Width (L) 1800mm, Height (H) 1800mm

**Maximum Sash Weight**

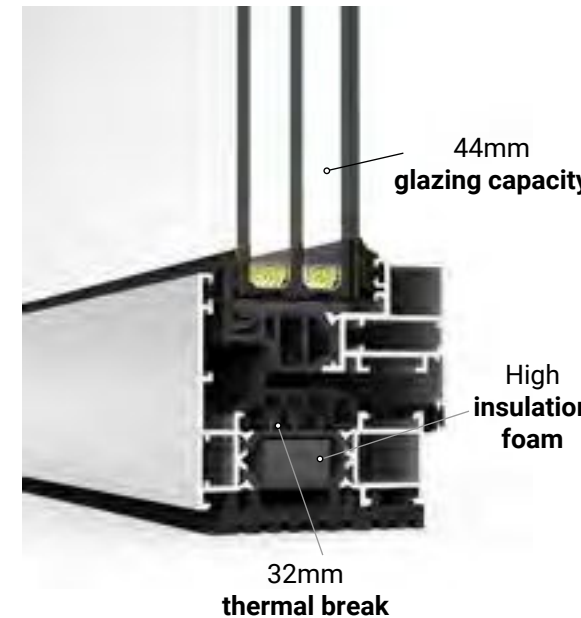
Side Hung Slim Sash: 35kg

Top Hung Slim Sash: 50kg

Side Hung Heavy Duty Sash: 42Kg

Top Hung Heavy Duty Sash: 100kg

Consult maximum weight and dimensions according to typologies

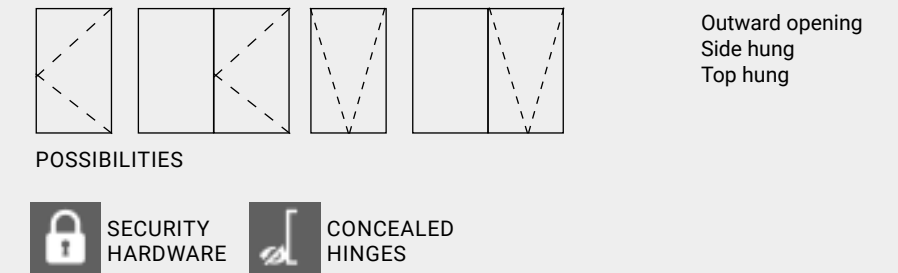


**FEATURES**

U value		Double Glazing* Uw>1.3 (W/m²K)
Acoustic insulation		Rw up to 45dB
Air permeability		Class 4
Water tightness		Class E1200
Wind resistance		Class CE 2400
Security test	<b>PAS24</b> <input checked="" type="checkbox"/>	Passed

\* Double Glazing Ug=1.0 | Security Reference test 1.438 x 1.33m / 1 sash

**OPENING CONFIGURATIONS**



Thermally broken window that allows for both side hung and top hung outward openings. This solution, with a thermal break zone of 32mm and a transmittance Uw from 1.0 W/m²K has the British security certification PAS 24, being especially suitable for this market.

- High thermal & acoustic performance
- Slim sight-lines
- Flush option available
- High security

Visit [www.total-as.com](http://www.total-as.com) for more information

>20 **A ++** ←

>10 to 20 **A +**

0 to < 10 **A**

-10 to < 0 **B**

-20 to < -10 **C**

-30 to < -20 **D**

-50 to < -30 **E**

Triple glazing

>20 **A ++**

>10 to 20 **A +**

0 to < 10 **A** ←

-10 to < 0 **B**

-20 to < -10 **C**

-30 to < -20 **D**

-50 to < -30 **E**

Double glazing





- Sliding Doors
- Bi-Fold Doors
- Windows
- Front Doors

## Why choose us?



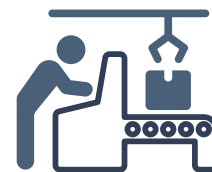
From initial contact to delivery our reception, sales, estimating, technical and after-sales teams are on hand to assist with any queries.



210m<sup>2</sup> Showroom housing every product we manufacture including accessory options.



We offer free of charge installation training on all of our products.



We have over 30,000m<sup>2</sup> of manufacturing space across two facilities. We have 5 CNC centres and over 55 staff.



Our experience and fabricating capacity allows us to complete orders in some industry leading lead times.



We only supply to trade customers ensuring we will never compete for business. We pass leads on to regular clients.



We've been trading as the same company for over 38 years and specialise in aluminium products.



From initial contact through to after sales, our knowledgeable team are on hand to answer any questions you may have.

Our recently refitted showroom is an impressive 210m<sup>2</sup> and houses an example of every product we manufacture.

Our showroom is available for all our clients to entertain potential customers, we have meeting rooms that you can use to entertain your clients with a large flat screen TV for presentations.

We can put your media or logo on the screen with advanced notice and we'll of course provide you with refreshments for your visit.

Visit [www.total-as.com](http://www.total-as.com) for more information



# Get in touch:

Sales: Barry Wheeler  
07436 159 289  
barrywheeler@total-as.com

General Enquiries: Reception  
01252 336614  
info@total-as.com

# Visit us:

102-120 North Lane Aldershot, Hampshire  
GU12 4QN United Kingdom.  
www.total-as.com



**TOTAL**  
Aluminium Solutions

